

Digital Pressure Gauge XY-PG280P

Typical Feature

- 304 stainless steel shell, dial diameter 80 mm
- Clamp flush diaphragm meets 3-A Sanitary Standards
- With 4-Digits LCD Display.
- Accuracy level: Pressure 0.2% and 0.4%
- Weld Absolute Pressure, Gauge Pressure and Vacuum Pressure
- Powered by 2 cells AA Battery power, standby time 12 Months
- Alarm for low power supply, Record for extreme value.
- Multi pressure multiunit switching (PSI/BAR/KPa/Kgf/cm²/MPa)



Brief Introduction

XY-PG280P is a high precision Sanitary Digital Pressure Gauge, designed for Food, Pharmaceutical, Cosmetic and Beverage Industries, to keep work stations cleaning and bactericidal maintenance. which was built-in high accuracy pressure sensor, it displays real time pressure at short response time, the typical characteristics are high accuracy and excellent long-term stability.



The digital pressure gauge has LCD display with 4-Digits. There are 4 buttons on front panel to control Reset, backlit display, Power On/Off, Unit converting, low voltage alarm and record Maximum. It is easy to install in Pipeline, Isolation tank or others connects device, easy to set up operating parameter. Working condition is -5-40°C, it should be cold once working condition temperature more than 40°C, -20~150°C are customized.

It has 304 stainless steel shell and joint, can be used in measuring gas, liquid, oil and others medium without corrosion for stainless steel, at the same time its shock resistance is very good.

XY-PG280P Sanitary Digital Pressure Gauge is powered by 2 batteries (AA), with low power consumption and long duration.

There are three pressure measurement types: Gauge Pressure, Vacuum Pressure and Absolute Pressure; machinal joint include Thread, Flush Diaphragm, Clamp, Flange, Radiator and Differential Two-way Fitting.

Suggested Applications

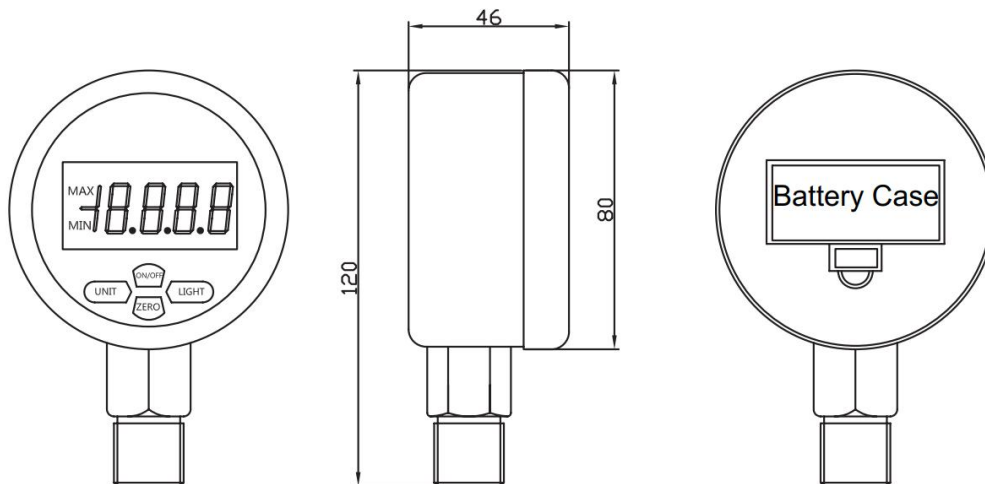
-  Food
-  Pharmaceutical
-  Cosmetic
-  Beverage Industries
-  Medical Equipment
-  Laboratory
-  Customized Applications

More details for XY-PG280P, please contact us.

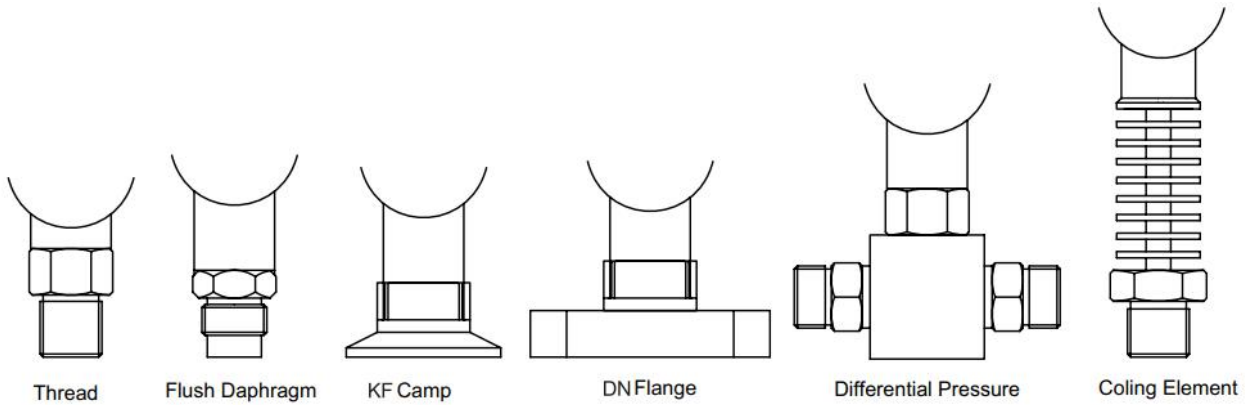
Specification

Model	XY-PG280P
General Pressure Range	0~0.2~0.6~1~2.5~10~25~40~60~100~160MPa
Micro-pressure Range	(0~5~10~25~40~60~100) KPa
Composite range	(-0.1~0~0.1~0.25~0.4~0.6~1~1.6~2.5) MPa (-10~10; -25~25; -40~40; -60~60; -100~100) KPa
Pressure Type	Gauge Pressure Test, Vacuum Pressure Test
Dimension	Φ80mm; Thickness 48mm
Overload Capacity	150% (>10MPa); 200% (≤10MPa)
Measurement Medium	Gas or Liquid with Compatibility of SS 316
Accuracy Level	0.2%FS ;0.4%FS
Long-Term Stability/Year	Typical: ±0.2% FS
Operation Temperature	-20 ~ 70°C; -20_150°C are customized
Compensation Temperature	0 ~ 60°C
Working Humidity	<85%
Display	4 digits LCD, white backlit display
Alarm Point Set	High & Low alarm points can be set within range
Power Supply	Battery 3V; 24VDC, 220VAC are optional

Dimension(mm)



Mechanical Connection(mm)



How To Order

XY	PG	280	E	P	60M	1	P2	J	M3	B1	T1	L		
	Category	Type	Setup	Pressure Connection	Pressure Range	Accuracy	Power	Output	Thread	Electrical Connection	Medium Temperature	Additional		
PG	Pressure Gauge	200 High Accuracy	E Lower Mount	None General Thread	X (0-0.1MPa)	1 0.40%	P0 Battery	R RS485	M1 M20*1.5	B Cable Outlet	T1 -5~40°C	LC LCD Display		
		210 High Accuracy Pressure&Temperture	Z Panel Mount	P Diaphragm Seals	XB (0-0.1Bar)	2 0.20%	P2 2.4V	A 4-20mA	M2 G1/4	C Circular Connector	T2 -20~80°C	LE LED Display		
		270 Explosion-Proof	G Wireless	DP Differential Pressure	XM (0-0.1MPa)	3 0.10%	P4 2.20V	J1 Relay	M3 G1/2	CC Customized	T9 Customized	1 Explosion-Proof		
		280 80mm Dial Size LCD Display	F Peak Record	KF Clamp	CC Customized	4 0.50%	P5 3.60V	J2 Dual Relay	M4 1/2NPT					
		280 60mm Dial Size	V Vacuum Switch	D4 Flange		5 0.25%	P6 1.2V	CC Customized	M5 1/4NPT					
		300 110mm Dial Size	W Water Pump Switch	3399 Customized		9 Customized	P9 Customized		M7 2G1/4					
		380 80mm Dial Size LED Display							M9 Customized					
		560 Digital Remote-transmission												
		625 Contact 60mm Dial Size												
		925 Contact 60mm Dial Size												
		935 Contact 90mm Dial Size												
		PS	Pressure Switch	628 60mm Dial Size										
				828 80mm Dial Size										
928 110mm Dial Size														
650 Switch Box with Plastic Shell														
680 Switch Box with Full Metal Shell														
780 Mechanical														
PC	Pressure Control	680 60mm Dial Size												
		880 80mm Dial Size												
		980 110mm Dial Size												

Remark: 1. This form is for whole Pressure Measurement and Pressure Control products, please read Product Date Sheet to get reference informations
2. If you may not find right information in this form, please contact us to get future details

Shanghai XuYan Precision Technology Co., Ltd.

Address: No. 969, YunHan Road Pudong District Shanghai City China

Tel: +86 21 59241315

Email: sales@xvyanprecision.com

Website: www.xvyanprecision.com

Product Manager: Tyler Tou

Cell: +86 189 1797 0680

Email: ttao@Xuyanpercision.com