

## Digital Pressure Switch XY-PS828EA

### Typical Feature

- ❑ Stainless steel 304 shell, dial diameter Φ80mm
- ❑ 4-Digits LED Display,
- ❑ Multi-unit convert MPa/Kgf/cm<sup>2</sup>/PSI
- ❑ Accuracy level:0.5%FS
- ❑ Power supply 24VDC; Optional 220VAC
- ❑ Dual relay, output signal NONC, Optional 4-20mA or RS485
- ❑ High precision, quick response time, stable and easy setting up



### Brief Introduction

XY-PS828EA is an Intelligent Digital Pressure Switch, with 80mm diameter stainless steel shell, Optional Output 4-20mA or RS485; integrating pressure measurement, display and control function. It has a variety of excellent functions, such as one-button reset, Multi-pressure Unit Converting and it's easy to reset setting, adjusting and installation.

Two relays are built in, this series of digital pressure switches have dual relays, which can be set up two ways of normally open and normally close alarm points separately, also are able to control two ways of high and low pressure of air or liquid, in addition, it is with one key reset, at the same time, calibration, shifting display unit, setting return difference and others option functions.

The intelligent pressure switch is equipped with high-precision instrument amplifier to amplify pressure signal, built-in temperature compensation sensor, is the high precision equipment for detecting and monitoring pressure, strong anti-electromagnetic interference (EMI), surge protection, reverse protection and so on

XY-PS828EA Intelligent Digital Pressure Switch can be widely used in Automatic System, Mobile Working Machines, Medical Equipment, Pump, Compressor, Energy and Water Treatment, Agricultural Equipment, Test System, Hydraulic System and Pneumatic System.

### Suggested Applications

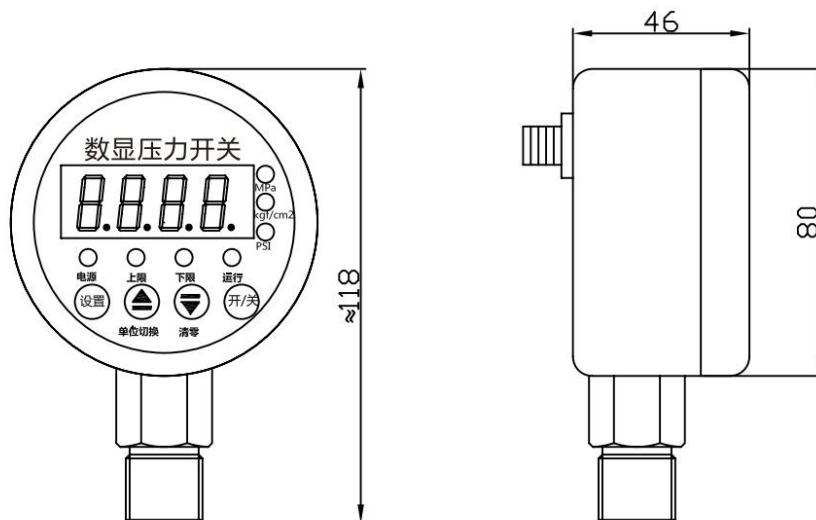
- ✚ Equipment Automation
- ✚ Mobile Work Machine
- ✚ Water Pump and Air compressor
- ✚ Electromechanical Equipment Automation
- ✚ Energy and Water Treatment System
- ✚ Medical Equipment
- ✚ Hydraulic and Pneumatic Systems
- ✚ Agricultural Equipment
- ✚ Test Jig
- ✚ Customized Applications

**More details for XY-PS828EA, please contact us.**

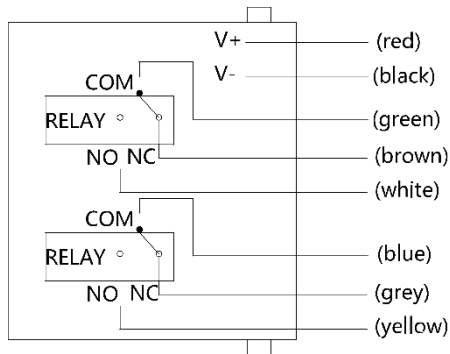
Specification

<b>Model</b>	<b>XY-PG828EA</b>
Gauge Pressure Range	0~0.2~1.0~1.6~5~10~25~40~60~100~160MPa
Mirco Pressure Range	0~5~10~25~40~60~100KPa
Vacuum Pressure Range	-100~0KPa
Overload Capacity	200% ( $\leq 10\text{MPa}$ ); 150% ( $> 10\text{MPa}$ )
Measurement Medium	Gas or oil or other Liquid with Compatibility of SS 304 or 316
Accuracy Level	0.5%FS;
Long-Term Stability/Year	Typical: $\pm 0.5\%$ FS;
Alarm Point	Any pressure @whole measurement range
Output	Relay; NONC
Load Capacity	220VAC 3A
Display	4 digits LED
Operating temperature	-20~80°C
Compensation	-10~70°C
Power Supply	24VDC ;220VAC; 380VAC are optional
Electrical Protection	Anti-EMI; Reverse connection protection (Current Power Supply)
Sampling Frequency	3 times/Second
Standard Mechanical Joint	M20*1.5; NPT1/4, G1/4, Customized types
Electronic Connection	Circular Connector

Dimension(mm)



## Output



Function	Connection Method
Alternative Contact Pressure Gauge	Low Alarm Point:Brown
	High Alarm Point:Yellow
	Common Port:Green and Blue connect in parallel
Low Pressure Close, High Pressure Open	Output: Brown+Green
	Set AL and Hystersis Ad1
Low Pressure Open, High Pressure Close	Output: Yellow+Blue
	Set AHand Hystersis Ad2
Double High Pressure Alarm (High Pressure Close)	A Way: White+Green(Set AL)
	B Way:(Blue+Yellow(Set AH)

## How To Order

XY-	PG	280	E	P	60M	l	P2	J	M3	B1	T1	L
Category	Type	Setup	Pressure Connection	Pressure Range	Accuracy	Power	Output	Thread	Electrical Connection	Medium Temperature	Additional	
PG	Pressure Gauge	200 High Accuracy	E Lower Mount	None General Thread	XI (0-2kPa)	1 0.40%	P0 Battery	B RS485	M1 M20*1.5	B Cable Outlet	T1 -5~40°C	LC LCD Display
		210 High Accuracy Pressure&Temperature	Z Panel Mount	P Diaphragm Seals	XB (0-2Bar)	2 0.20%	P2 24V	A 4-20mA	M2 G1/4	C Circular Connector	T2 -20~80°C	LF LED Display
		270 Explosion-Proof	G Wireless	DP Differential Pressure	XM (0-2MPa)	3 0.10%	P4 220V	J1 Relay	M3 G1/2	CC Customized	T9 Customized	I1 Explosion-Proof
		280 80mm Dial Size LCD Display	F Peak Record	KE Clamp	LC Customized	4 0.50%	P5 380V	J2 Dual Relay	M4 1/2NPT			
		260 60mm Dial Size	V Vacuum Switch	DN Flange		5 0.25%	P6 12V	CC Customized	M5 1/4NPT			
		300 100mm Dial Size	W Water Pump Switch	9999 Customized		9 Customized	P9 Customized		M9 Customized			
		380 80mm Dial Size LED Display										
		480 Digital Remote-Transmission										
		605 Contact 60mm Dial Size										
		625 Contact 80mm Dial Size										
PS	Pressure Switch	608 60mm Dial Size										
		608 80mm Dial Size										
		608 100mm Dial Size										
		660 Switch Box with Plastic Shell										
		600 Switch Box with Full Metal Shell										
		700 Mechanical										
PC	Pressure Control	800 60mm Dial Size										
		800 80mm Dial Size										
		800 100mm Dial Size										

Remark: 1. This form is for whole Pressure Measurement and Pressure Control products, please read Product Date Sheet to get reference informations  
2. If you may not find right information in this form, Please contact us to get future details

## Shanghai XuYan Precision Technology Co., Ltd.

**Address:** No. 969, YunHan Road Pudong District Shanghai City China

**Tel:** +86 21 59241315

**Email:** sales@xvyanprecision.com

**Website:** [www.xvyanprecision.com](http://www.xvyanprecision.com)

**Product Manager:** Tyler Tou

**Cell:** +86 189 1797 0680

**Email:** ttao@Xuyanpercision.com